

Price List effective 12th May, 2025

(Prices exclusive of Goods and Services Tax)

Pulse of your machine



MASTER®

Industrial V Belts, Harvester Combine Belts, Conical Belts, Cogged Belts,
Timing Belts, Variable Speed Belts, Banded Belts, Mud-loader Belts,
Conveyor Belts, Rubber Sheet, Gear Boxes and other Special Belts.

Leadership Through Quality



IS : 2494



Pt - 1
CML - 2533550



Jain Transmission (India) Private Limited.

Was established in 1991. We are ISO 9001:2015 certified company. We are manufacturer and exporter of high quality V-Belts, for Industrial and agriculture segments.

Established in 1991 "Jain Transmission (India) Private Limited " with clear and straight aspirations of manufacturing, commenced production of rubber based items like "V-Belts, wedge belts, harvester combine belts, variable speed belts, conical belts, rubber sheets, and conveyor belts, " Jain Transmission (India) Private Limited "installed the state of art machinery and acquired latest technology. The process of modernization of machinery and technology continues unabated to produce the quality products to meet and match the national and international standards. The main thrust is to keep up our commitment of consistency in quality, batch by batch and to ensure versatile service to our valued clients. " Jain Transmission (India) Private Limited" is a Company that brings care into business, care for the industry, and care for the customers and that is where we excel, regionally, nationally and internationally.

JTIL Product is being continuous supplied to OEMs and private limited Institutions .Throughout India, We have well established Distributor network for our products for replacement market and have stock branch offices at Delhi & Mumbai.

The Company maintains a separate R & D section consisting of a well equipped testing laboratory. The production and R & D activities are manned & looked after by qualified and experienced professionals and other skilled workers, highly capable to produce quality products under the Dynamic and expert guidance of M.D.

Jain Transmission (India) Private Limited "guarantees quality, competitive prices, attractive business terms and adherence to the committed delivery schedule. Our Growth-Rate in every aspect of the economy like Production, Sales is under multiplicity of varying 35% (t) in compounding value. To bridge between manufacturing and economy of the product, an expansion- project is undertaken to accelerate productivity under proper instrumentation; so as to produce the belts with geometrically accurate in every respect. Higher productivity of the machines shall reflect upon the economy of the manufacturing.

"Jain Transmission (India) Private Limited " is determined in its honest commitment to unequalled quality and service to their impressive customers and to the would-be customer's world-over with a tendency of basking in glory of past achievements. Our increasing productivity, product testing facilities have achieved license for marking ISI as per BIS 2494 (part-1) 1994 and the ISO 9001-2015 to improve our best quality management system standard.

We stand committed to manufacture & supply product of consistent quality and timely delivery as per customer's requirements to their entire satisfaction.

We aim for continual improvement through conformance of product to required parameters and effective implementation of Quality Management System in line with ISO 9001:2015, ISI as per BIS 2494 (part-1) and optimum use of resources

JTIL Provide comprehensive technical support to our valued customer. Our application engineers offer assistance into operational problems and suggest solution .prompt satisfactory service after sales is assured.

JTIL V-Belts are match free belts subject to precise length control, do not require matching & any number of belts of the same size can be used to make a set.



FREE-SET INDUSTRIAL V-BELTS

	Size	Price	Size	Price	Size	Price	Size	Price	Size	Price	Size	Price	
'A' 13 x 8 MM	A 14	143	A 40	289	A 66	419	A 92	628	A 119	865	A 154	1075	
	A 15	153	A 41	290	A 67	424	A 93	634	A 120	871	A 156	1082	
	A 16	163	A 42	295	A 68	434	A 94	658	A 121	873	A 158	1090	
	A 17	173	A 43	299	A 69	436	A 95	668	A 122	878	A 160	1107	
	A 18	183	A 44	301	A 70	439	A 96	671	A 124	894	A 162	1120	
	A 19	195	A 45	305	A 71	457	A 97	678	A 125	907	A 165	1142	
	A 20	196	A 46	314	A 72	459	A 98	690	A 126	933	A 168	1168	
	A 21	203	A 47	320	A 73	465	A 99	696	A 127	940	A 170	1185	
	A 22	207	A 48	329	A 74	466	A 100	706	A 128	950	A 172	1205	
	A 23	207	A 49	331	A 75	474	A 101	711	A 130	962	A 173	1217	
	A 24	209	A 50	332	A 76	476	A 102	713	A 131	965	A 175	1227	
	A 25	211	A 51	348	A 77	481	A 103	718	A 132	968	A 178	1240	
	A 26	211	A 52	352	A 78	486	A 104	723	A 134	982	A 180	1255	
	A 27	212	A 53	352	A 79	491	A 105	732	A 135	990	A 182	1266	
	A 28	213	A 54	357	A 80	496	A 106	737	A 136	1004	A 185	1284	
	A 29	226	A 55	358	A 81	499	A 107	748	A 137	1010	A 190	1295	
	A 30	228	A 56	362	A 82	521	A 108	752	A 138	1016	A 192	1309	
	A 31	238	A 57	363	A 83	528	A 109	760	A 140	1028	A 195	1328	
	A 32	248	A 58	365	A 84	540	A 110	773	A 142	1030	A 200	1348	
	A 33	256	A 59	368	A 85	551	A 112	811	A 143	1033	A 205	1391	
	A 34	261	A 60	379	A 86	555	A 113	828	A 144	1037	A 210	1440	
	A 35	267	A 61	393	A 87	572	A 114	844	A 145	1040	A 360	1490	
	A 36	277	A 62	398	A 88	584	A 115	846	A 146	1058			
	A 37	277	A 63	402	A 89	599	A 116	855	A 148	1060			
	A 38	283	A 64	403	A 90	608	A 117	857	A 150	1063			
	A 39	285	A 65	406	A 91	616	A 118	859	A 152	1071			
	'B' 17 x 11 MM	B 18	240	B 53	433	B 87	768	B 121	1218	B 160	1603	B 230	2299
		B 20	255	B 54	446	B 88	787	B 122	1223	B 162	1627	B 235	2350
		B 21	260	B 55	455	B 89	812	B 123	1227	B 163	1630	B 238	2374
		B 22	262	B 56	464	B 90	830	B 124	1235	B 164	1636	B 240	2390
		B 23	265	B 57	468	B 91	835	B 125	1239	B 165	1655	B 245	2440
		B 24	275	B 58	479	B 92	847	B 126	1244	B 166	1681	B 250	2495
		B 25	281	B 59	484	B 93	856	B 127	1247	B 167	1688	B 255	2496
		B 26	293	B 60	485	B 94	873	B 128	1255	B 168	1697	B 260	2502
		B 27	297	B 61	486	B 95	883	B 129	1280	B 169	1705	B 268	2540
		B 28	298	B 62	489	B 96	894	B 130	1290	B 170	1706	B 270	2630
		B 29	303	B 63	497	B 97	898	B 131	1292	B 172	1719	B 275	2713
		B 30	313	B 64	503	B 98	908	B 132	1303	B 173	1729	B 280	2770
B 31		321	B 65	527	B 99	911	B 133	1305	B 174	1732	B 285	2830	
B 32		329	B 66	547	B 100	916	B 134	1318	B 175	1740	B 300	2958	
B 33		331	B 67	573	B 101	926	B 135	1329	B 176	1754	B 310	3034	
B 34		340	B 68	580	B 102	932	B 136	1342	B 178	1761	B 315	3140	
B 35		342	B 69	589	B 103	942	B 137	1350	B 180	1771	B 330	3270	
B 36		346	B 70	599	B 104	951	B 138	1355	B 182	1784	B 340	3531	
B 37		354	B 71	608	B 105	965	B 139	1361	B 184	1808	B 360	3851	
B 38		357	B 72	616	B 106	985	B 140	1369	B 185	1839	B 370	4010	
B 39		360	B 73	623	B 107	996	B 142	1391	B 186	1845	B 440	4273	
B 40		361	B 74	632	B 108	1003	B 143	1398	B 188	1861	B 512	4966	
B 41		361	B 75	637	B 109	1014	B 144	1403	B 190	1882	B 658	6053	
B 42		371	B 76	641	B 110	1026	B 145	1451	B 192	1898			
B 43		375	B 77	653	B 111	1037	B 146	1474	B 195	1942			
B 44		382	B 78	657	B 112	1052	B 147	1485	B 198	1952			
B 45		394	B 79	670	B 113	1065	B 148	1508	B 200	1977			
B 46		411	B 80	679	B 114	1073	B 150	1530	B 204	2022			
B 47		413	B 81	690	B 115	1099	B 152	1558	B 205	2045			
B 48		419	B 82	701	B 116	1107	B 154	1567	B 210	2087			
B 49		422	B 83	709	B 117	1117	B 155	1578	B 215	2150			
B 50		423	B 84	724	B 118	1130	B 156	1581	B 220	2190			
B 51		425	B 85	740	B 119	1137	B 157	1582	B 225	2250			
B 52		427	B 86	758	B 120	1192	B 158	1585	B 228	2275			



FREE-SET INDUSTRIAL V-BELTS

	Size	Price	Size	Price	Size	Price	Size	Price	Size	Price	Size	Price	
'C' 22 x 14 MM	C 31	465	C 72	921	C 111	1653	C 150	2112	C 195	2639	C 270	3604	
	C 33	495	C 73	936	C 112	1668	C 152	2172	C 196	2646	C 272	3624	
	C 35	526	C 74	947	C 113	1682	C 153	2182	C 197	2659	C 274	3652	
	C 36	540	C 75	957	C 114	1690	C 154	2189	C 198	2677	C 275	3675	
	C 37	540	C 76	968	C 115	1703	C 155	2192	C 200	2717	C 276	3690	
	C 38	543	C 77	981	C 116	1713	C 156	2210	C 202	2734	C 278	3708	
	C 39	544	C 78	996	C 117	1713	C 157	2211	C 204	2750	C 280	3740	
	C 40	550	C 79	1010	C 118	1718	C 158	2212	C 205	2751	C 282	3782	
	C 41	554	C 80	1034	C 119	1721	C 160	2232	C 206	2777	C 285	3829	
	C 42	568	C 81	1044	C 120	1724	C 162	2240	C 208	2802	C 286	3842	
	C 43	575	C 82	1056	C 121	1780	C 163	2241	C 210	2822	C 288	3859	
	C 44	579	C 83	1078	C 122	1784	C 164	2242	C 212	2851	C 290	3917	
	C 45	584	C 84	1084	C 123	1789	C 165	2247	C 215	2868	C 292	3989	
	C 46	608	C 85	1110	C 124	1792	C 166	2254	C 216	2892	C 295	4060	
	C 47	619	C 86	1124	C 125	1798	C 167	2264	C 218	2916	C 298	4085	
	C 48	630	C 87	1135	C 126	1814	C 168	2274	C 220	2939	C 300	4129	
	C 49	639	C 88	1154	C 127	1830	C 169	2287	C 222	2965	C 305	4197	
	C 50	643	C 89	1163	C 128	1848	C 170	2304	C 224	2979	C 310	4305	
	C 51	653	C 90	1199	C 129	1866	C 171	2305	C 225	3001	C 315	4416	
	C 52	660	C 91	1221	C 130	1884	C 172	2306	C 228	3054	C 320	4445	
	C 53	676	C 92	1236	C 131	1911	C 173	2332	C 230	3092	C 328	4557	
	C 54	692	C 93	1266	C 132	1926	C 174	2339	C 234	3112	C 330	4584	
	C 55	708	C 94	1305	C 133	1942	C 175	2353	C 235	3127	C 336	4683	
	C 56	721	C 95	1329	C 134	1966	C 176	2355	C 236	3138	C 340	4739	
	C 57	735	C 96	1352	C 135	1985	C 177	2357	C 238	3174	C 345	4775	
	C 58	743	C 97	1361	C 136	1998	C 178	2359	C 240	3219	C 350	4877	
	C 59	755	C 98	1376	C 137	2003	C 180	2375	C 242	3247	C 358	4988	
	C 60	771	C 99	1379	C 138	2009	C 181	2392	C 244	3252	C 360	5015	
	C 61	782	C 100	1383	C 139	2017	C 182	2413	C 245	3269	C 370	5143	
	C 62	797	C 101	1458	C 140	2029	C 183	2435	C 248	3307	C 380	5282	
	C 63	804	C 102	1489	C 141	2035	C 184	2461	C 250	3361	C 418	5978	
	C 64	816	C 103	1517	C 142	2046	C 185	2481	C 252	3376	C 500	6950	
	C 65	838	C 104	1535	C 143	2060	C 186	2494	C 255	3480	C 658	9146	
	C 66	853	C 105	1541	C 144	2083	C 187	2507	C 258	3490	C 995	13830	
	C 67	880	C 106	1556	C 145	2093	C 188	2530	C 260	3501			
	C 68	902	C 107	1570	C 146	2100	C 190	2582	C 262	3527			
	C 69	913	C 108	1588	C 147	2103	C 192	2605	C 264	3537			
	C 70	913	C 109	1605	C 148	2105	C 193	2616	C 265	3550			
	C 71	914	C 110	1624	C 149	2107	C 194	2619	C 268	3560			
	'D' 32 x 19 MM	D 70	2031	D 110	2648	D 138	3368	D 180	4389	D 240	6243	D 310	7982
		D 75	2173	D 112	2724	D 140	3416	D 185	4541	D 245	6314	D 314	8083
		D 80	2202	D 114	2774	D 144	3455	D 190	4767	D 248	6454	D 320	8244
		D 82	2263	D 115	2805	D 148	3506	D 195	4939	D 250	6498	D 328	8432
		D 84	2305	D 116	2823	D 150	3681	D 200	5048	D 255	6627	D 340	8725
		D 85	2347	D 118	2865	D 152	3753	D 204	5205	D 258	6686	D 350	9008
		D 88	2414	D 120	2869	D 155	3827	D 205	5225	D 260	6726	D 358	9197
		D 90	2456	D 122	2972	D 158	3909	D 210	5345	D 268	7049	D 390	11186
		D 93	2470	D 124	2978	D 160	3935	D 215	5425	D 270	7081	D 418	12327
		D 95	2493	D 125	3029	D 162	3972	D 220	5550	D 275	7168	D 450	12920
		D 96	2503	D 126	3048	D 165	4043	D 225	5674	D 280	7314	D 478	13724
		D 98	2516	D 128	3093	D 168	4104	D 228	5771	D 285	7429	D 538	15225
		D 100	2527	D 130	3116	D 170	4127	D 230	5876	D 290	7577	D 540	15255
		D 102	2555	D 132	3196	D 173	4256	D 234	5979	D 295	7733	D 598	16759
		D 105	2577	D 134	3248	D 175	4304	D 235	6005	D 298	7888	D 1000	28025
		D 108	2611	D 136	3287	D 178	4349	D 238	6147	D 300	7906		
	'E' 38x23 MM	E 154	5979	E 238	9301	E 358	14103	E 450	17710	E 538	19781		
		E 180	6989	E 268	10605	E 374	15140	E 478	18806	E 551	20221		
		E 195	7604	E 298	11779	E 394	15982	E 520	19119	E 636	23341		
		E 210	8252	E 328	12924	E 418	16593	E 524	19230	E 1000	36700		

FREE-SET INDUSTRIAL V-BELTS

	Size	Price	Size	Price	Size	Price	Size	Price	Size	Price	Size	Price	
'BB' 17x14 MM	BB 40	336	BB 68	577	BB 84	756	BB 100	966	BB 122	1167	BB 148	1360	
	BB 43	361	BB 69	581	BB 85	803	BB 102	988	BB 123	1173	BB 150	1371	
	BB 55	462	BB 70	583	BB 86	809	BB 104	995	BB 124	1180	BB 154	1416	
	BB 58	487	BB 72	602	BB 88	852	BB 105	1003	BB 126	1198	BB 155	1440	
	BB 59	501	BB 74	610	BB 90	857	BB 106	1025	BB 128	1209	BB 158	1467	
	BB 60	505	BB 75	618	BB 92	882	BB 108	1042	BB 130	1221	BB 173	1606	
	BB 62	510	BB 76	630	BB 93	888	BB 110	1062	BB 132	1239	BB 190	1763	
	BB 63	528	BB 78	642	BB 94	891	BB 112	1088	BB 134	1250	BB 270	2430	
	BB 64	540	BB 80	660	BB 95	905	BB 114	1109	BB 136	1262	BB 345	3105	
	BB 65	553	BB 81	662	BB 96	919	BB 115	1120	BB 144	1314	BB 410	3690	
	BB 66	566	BB 82	666	BB 97	925	BB 118	1136	BB 145	1330	BB 660	5940	
	BB 67	572	BB 83	707	BB 98	935	BB 120	1155	BB 146	1345			
	'FHP' 10 x 6 MM	FHP 2170	86	FHP 2250	102	FHP 2330	114	FHP 2395	119	FHP 2475	139	FHP 2570	142
		FHP 2180	88	FHP 2255	102	FHP 2334	114	FHP 2400	123	FHP 2480	139	FHP 2580	143
FHP 2190		89	FHP 2260	107	FHP 2340	115	FHP 2410	128	FHP 2490	139	FHP 2590	144	
FHP 2200		93	FHP 2270	107	FHP 2345	115	FHP 2420	132	FHP 2500	139	FHP 2594	144	
FHP 2205		93	FHP 2275	107	FHP 2350	115	FHP 2425	132	FHP 2510	140	FHP 2600	144	
FHP 2210		94	FHP 2280	110	FHP 2355	115	FHP 2430	133	FHP 2520	140	FHP 2664	144	
FHP 2220		95	FHP 2290	110	FHP 2360	117	FHP 2440	136	FHP 2530	140			
FHP 2225		95	FHP 2300	112	FHP 2370	117	FHP 2445	138	FHP 2540	141			
FHP 2230		96	FHP 2310	112	FHP 2375	118	FHP 2450	136	FHP 2549	141			
FHP 2240		99	FHP 2320	114	FHP 2380	118	FHP 2460	137	FHP 2550	142			
FHP 2245		99	FHP 2325	114	FHP 2390	119	FHP 2470	137	FHP 2560	142			
'SPZ' 10 x 8 MM		SPZ 630	201	SPZ 962	265	SPZ 1237	335	SPZ 1437	388	SPZ 1737	462	SPZ 2410	635
		SPZ 637	203	SPZ 987	270	SPZ 1250	340	SPZ 1440	392	SPZ 1750	463	SPZ 2500	653
		SPZ 670	209	SPZ 1000	280	SPZ 1262	342	SPZ 1450	394	SPZ 1757	471	SPZ 2540	669
	SPZ 687	214	SPZ 1010	281	SPZ 1270	346	SPZ 1462	396	SPZ 1787	475	SPZ 2600	677	
	SPZ 700	214	SPZ 1030	284	SPZ 1287	350	SPZ 1470	399	SPZ 1800	479	SPZ 2650	689	
	SPZ 710	214	SPZ 1050	290	SPZ 1300	354	SPZ 1487	400	SPZ 1850	488	SPZ 2680	698	
	SPZ 722	215	SPZ 1060	292	SPZ 1312	356	SPZ 1500	408	SPZ 1900	504	SPZ 2690	710	
	SPZ 750	216	SPZ 1077	296	SPZ 1320	359	SPZ 1512	408	SPZ 1937	510	SPZ 2800	725	
	SPZ 760	223	SPZ 1080	299	SPZ 1325	360	SPZ 1520	409	SPZ 1987	515	SPZ 2840	728	
	SPZ 762	225	SPZ 1087	300	SPZ 1337	362	SPZ 1537	411	SPZ 2000	527	SPZ 3000	771	
	SPZ 772	227	SPZ 1090	302	SPZ 1340	364	SPZ 1550	413	SPZ 2020	530	SPZ 3150	775	
	SPZ 787	230	SPZ 1100	305	SPZ 1347	365	SPZ 1560	417	SPZ 2030	535	SPZ 3170	780	
	SPZ 800	233	SPZ 1120	308	SPZ 1348	367	SPZ 1562	421	SPZ 2037	540	SPZ 3350	800	
	SPZ 812	233	SPZ 1137	310	SPZ 1350	370	SPZ 1587	424	SPZ 2087	550	SPZ 3370	824	
	SPZ 825	236	SPZ 1140	313	SPZ 1358	372	SPZ 1600	428	SPZ 2100	556	SPZ 3550	850	
	SPZ 837	240	SPZ 1150	316	SPZ 1362	373	SPZ 1612	432	SPZ 2120	556	SPZ 3960	880	
	SPZ 850	246	SPZ 1162	318	SPZ 1375	376	SPZ 1625	436	SPZ 2160	566	SPZ 4000	900	
	SPZ 900	250	SPZ 1170	322	SPZ 1387	376	SPZ 1650	440	SPZ 2240	587	SPZ 4953	1114	
	SPZ 925	255	SPZ 1180	326	SPZ 1400	377	SPZ 1662	445	SPZ 2280	596			
	SPZ 940	262	SPZ 1200	330	SPZ 1412	380	SPZ 1700	453	SPZ 2287	600			
SPZ 950	263	SPZ 1220	331	SPZ 1420	384	SPZ 1720	458	SPZ 2360	620				
'SPA' 13 x 10 MM	SPA 800	332	SPA 1082	406	SPA 1282	473	SPA 1500	545	SPA 1832	646	SPA 2180	763	
	SPA 825	340	SPA 1090	409	SPA 1300	482	SPA 1532	551	SPA 1850	654	SPA 2182	763	
	SPA 850	350	SPA 1100	415	SPA 1320	485	SPA 1550	568	SPA 1857	655	SPA 2200	765	
	SPA 875	354	SPA 1120	417	SPA 1332	486	SPA 1557	570	SPA 1882	660	SPA 2240	780	
	SPA 882	356	SPA 1132	423	SPA 1340	490	SPA 1582	573	SPA 1900	667	SPA 2280	790	
	SPA 900	358	SPA 1150	431	SPA 1350	494	SPA 1600	577	SPA 1925	675	SPA 2282	793	
	SPA 925	365	SPA 1157	435	SPA 1360	503	SPA 1632	589	SPA 1932	683	SPA 2300	796	
	SPA 932	370	SPA 1180	439	SPA 1382	506	SPA 1650	600	SPA 1950	687	SPA 2332	803	
	SPA 950	370	SPA 1187	447	SPA 1400	513	SPA 1657	603	SPA 1957	691	SPA 2360	812	
	SPA 975	375	SPA 1200	453	SPA 1432	518	SPA 1682	603	SPA 1982	698	SPA 2382	827	
	SPA 982	376	SPA 1207	453	SPA 1437	525	SPA 1700	606	SPA 2000	704	SPA 2430	839	
	SPA 1000	381	SPA 1220	456	SPA 1450	529	SPA 1732	616	SPA 2057	722	SPA 2500	860	
	SPA 1030	389	SPA 1232	460	SPA 1457	532	SPA 1750	625	SPA 2060	722	SPA 2580	880	
	SPA 1060	396	SPA 1250	466	SPA 1475	538	SPA 1757	632	SPA 2082	732	SPA 2650	905	
	SPA 1080	405	SPA 1280	469	SPA 1482	542	SPA 1800	637	SPA 2120	745	SPA 2682	917	

FREE-SET INDUSTRIAL V-BELTS

	Size	Price	Size	Price	Size	Price	Size	Price	Size	Price	Size	Price	
'SP' 13 X 10 MM	SPA 2720	930	SPA 2882	969	SPA 3000	1017	SPA 3282	1078	SPA 3650	1213	SPA 4250	1413	
	SPA 2732	941	SPA 2900	983	SPA 3082	1055	SPA 3350	1130	SPA 3750	1246	SPA 4500	1496	
	SPA 2800	953	SPA 2932	998	SPA 3150	1063	SPA 3550	1196	SPA 4000	1330	SPA 6000	1995	
'SPB' 17 X 14 MM	SPB 1500	663	SPB 2060	958	SPB 2500	1180	SPB 2900	1382	SPB 4000	1937	SPB 5400	2662	
	SPB 1550	693	SPB 2120	990	SPB 2510	1181	SPB 3000	1430	SPB 4060	1973	SPB 5600	2726	
	SPB 1600	716	SPB 2150	1012	SPB 2530	1198	SPB 3100	1461	SPB 4250	2074	SPB 5680	2776	
	SPB 1650	725	SPB 2180	1029	SPB 2580	1201	SPB 3150	1513	SPB 4310	2100	SPB 5880	2850	
	SPB 1700	741	SPB 2200	1038	SPB 2600	1237	SPB 3170	1521	SPB 4500	2193	SPB 6000	2918	
	SPB 1750	767	SPB 2240	1057	SPB 2650	1258	SPB 3250	1565	SPB 4560	2220	SPB 6300	3066	
	SPB 1800	793	SPB 2250	1062	SPB 2680	1272	SPB 3350	1610	SPB 4750	2314	SPB 6340	3097	
	SPB 1850	817	SPB 2280	1073	SPB 2700	1284	SPB 3450	1638	SPB 4820	2335	SPB 6700	3273	
	SPB 1900	841	SPB 2300	1073	SPB 2750	1304	SPB 3550	1703	SPB 5000	2430	SPB 7100	3468	
	SPB 1950	863	SPB 2360	1111	SPB 2800	1332	SPB 3650	1750	SPB 5070	2466	SPB 7500	3666	
	SPB 2000	885	SPB 2400	1129	SPB 2840	1353	SPB 3750	1804	SPB 5300	2578	SPB 8000	3913	
	SPB 2020	941	SPB 2410	1137	SPB 2850	1365	SPB 3800	1833	SPB 5380	2617			
	'SPC' 22 X 18 MM	SPC 2000	1524	SPC 3100	2376	SPC 3710	2837	SPC 4500	3443	SPC 6100	4712	SPC 8300	6344
		SPC 2120	1615	SPC 3150	2407	SPC 3750	2868	SPC 4600	3533	SPC 6300	4835	SPC 8500	6537
SPC 2240		1705	SPC 3200	2430	SPC 3800	2910	SPC 4650	3573	SPC 6400	4905	SPC 8700	6656	
SPC 2360		1797	SPC 3250	2462	SPC 3850	2943	SPC 4750	3637	SPC 6500	4993	SPC 9000	6921	
SPC 2500		1906	SPC 3300	2482	SPC 3870	2979	SPC 4800	3722	SPC 6700	5149	SPC 9500	7307	
SPC 2550		1910	SPC 3310	2520	SPC 3900	3024	SPC 5000	3831	SPC 6800	5220	SPC 10000	7701	
SPC 2600		1922	SPC 3350	2560	SPC 4000	3062	SPC 5100	3894	SPC 7000	5310	SPC 10600	8168	
SPC 2650		2023	SPC 3450	2610	SPC 4100	3135	SPC 5200	3981	SPC 7100	5457	SPC 11200	8626	
SPC 2700		2070	SPC 3460	2646	SPC 4150	3173	SPC 5300	4063	SPC 7220	5490	SPC 11800	9089	
SPC 2750		2106	SPC 3500	2676	SPC 4200	3175	SPC 5400	4136	SPC 7250	5563	SPC 12500	9638	
SPC 2800		2134	SPC 3550	2713	SPC 4250	3251	SPC 5480	4199	SPC 7500	5754	SPC 12800	9792	
SPC 2900		2212	SPC 3600	2755	SPC 4300	3290	SPC 5600	4295	SPC 8000	6152	SPC 15000	11475	
SPC 3000		2291	SPC 3650	2790	SPC 4350	3330	SPC 5800	4428	SPC 8100	6213	SPC 16790	12844	
SPC 3050		2345	SPC 3700	2830	SPC 4400	3348	SPC 6000	4605	SPC 8200	6273			
'3V' 9.7 X 8 MM	3V 195	199	3V 450	330	3V 600	427	3V 770	529	3V 950	653	3V 1320	899	
	3V 250	200	3V 475	332	3V 630	447	3V 780	533	3V 1000	688	3V 1590	950	
	3V 265	220	3V 480	352	3V 650	459	3V 790	536	3V 1060	717	3V 1660	1025	
	3V 375	280	3V 500	358	3V 670	469	3V 800	553	3V 1120	751			
	3V 400	300	3V 530	381	3V 710	498	3V 850	585	3V 1180	798			
	3V 425	310	3V 560	398	3V 750	518	3V 900	616	3V 1250	850			
'5V' 15.8 X 13.5 MM	5V 600	793	5V 900	1227	5V 1250	1734	5V 1800	2520	5V 2240	3134	5V 3150	4350	
	5V 630	828	5V 950	1299	5V 1320	1829	5V 1900	2673	5V 2360	3309	5V 3350	4500	
	5V 710	944	5V 1000	1371	5V 1400	1941	5V 2000	2789	5V 2500	3509	5V 3450	4700	
	5V 750	1008	5V 1060	1453	5V 1500	2085	5V 2100	2920	5V 2650	3715	5V 3750	5000	
	5V 800	1074	5V 1120	1549	5V 1600	2247	5V 2120	2965	5V 2800	3969			
	5V 850	1159	5V 1180	1626	5V 1700	2383	5V 2220	2965	5V 3000	4199			
'8V' 25.4 X 23 MM	8V 1010	3540	8V 1320	4459	8V 1800	6195	8V 2360	8156	8V 3350	11592	8V 4750	16444	
	8V 1060	3627	8V 1400	4809	8V 1900	6547	8V 2500	8629	8V 3550	12295	8V 5000	17325	
	8V 1120	3827	8V 1460	5004	8V 2000	6887	8V 2650	9157	8V 3750	12990			
	8V 1180	4037	8V 1500	5158	8V 2080	7098	8V 2800	9684	8V 4000	13875			
	8V 1200	4097	8V 1600	5504	8V 2120	7308	8V 3000	10376	8V 4250	14726			
	8V 1250	4278	8V 1700	5855	8V 2240	7725	8V 3150	10898	8V 4500	15607			

Instruction for installation and storage of MASTER V-Belt

- Check the sheave or sprocket alignment. Grooves must be free from dust, rust, burrs in order to achieve optimum belt life.
- Check that the drive must be equipped with belts of the correct section and size. Belts cross-section and sheave grooves must match.
- Install the new belts or set of belts. Always use belts from the same manufacturer on a multiple belt drive.
- Always install the v-belts without force. Installation using screwdriver, pry bar etc cause external and internal damage to the belt.
- Adjust the motor base adjustment screws to take up the center distance on the belt drive until the belts are tight.
- Check belt tension using a tension gauge or sonic tension meter. Adjust the belt drive's center distance until the correct tension is measured.
- Rotate the belt drive by hand for a few revolutions. Re-check the belt tension & adjust as necessary.
- On multiple belt drives, follow the recommendation run-in and re-tensioning procedure to minimize the visible difference in belt sag.
- Check the drive guard fitted properly in order to avoid ingress of foreign material in the drive.
- Storage: Belts should be stored in a cool & dry environment with no direct sunlight Ideally, less than 30°C and 70% relative humidity. The common method of storing the v-belts is to hang them in crescent shaped pegs or pin racks. Improper storage will damage the tensile cord & the belt will fail prematurely.

Recommended Minimum Pulley Pitch Diameters (mm)

A	B	C	D	E	SPZ/3V	SPA	SPB	SPC	8V
80	125	200	315	500	56	90	160	224	335

Recommendation for Drive Design

Design Formula

$$(1) \text{ Speed Ratio } R = \frac{\text{rev/min of the Faster Shaft}}{\text{rev/min of the Slower Shaft}} = \frac{\text{Pitch Dia of large pulley}}{\text{Pitch Dia of smaller pulley}} = \frac{D}{d}$$

$$(2) \text{ Pitch length of belt, } L = 2C + \frac{(D-d)^2}{4C} + 1.57(D+d)$$

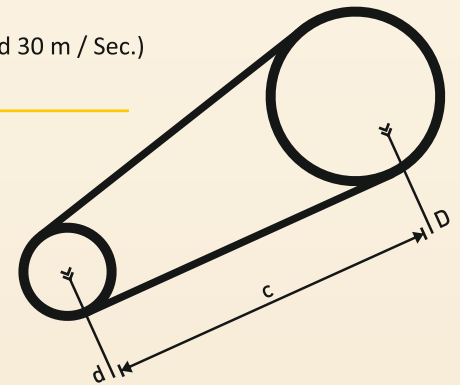
(C = Center Distance)

$$(3) \text{ Center Distance, } C = A + A^2 - B \text{ (in case center distance is not specified choose } C = 2 \times (D+d) \text{)}$$

Where $A = \frac{L}{4} - 0.3925(D+d)$

$$B = \frac{(D-d)^2}{8}$$

$$(3) \text{ Belt Velocity / Peripheral Speed (V) = } \frac{DN}{19100} \text{ m/Sec. (Should not normally exceed 30 m / Sec.)}$$



Terms :

1. Exclusive of all taxes.
2. Prices & terms are subject to change without prior notice.
3. Prices are F.O.R. ex-works/Branch.
4. All disputes are subject to Indore jurisdiction.
5. Distributors / Whole sellers / Dealers are free to sell at lower price.
6. This price list cancels all earlier price lists.
7. Prices prevailing at the time of dispatch will apply.





Industrial V Belts, Harvester Combine Belts, Conical Belts, Cogged Belts,
Timing Belts, Variable Speed Belts, Banded Belts, Mud-loader Belts,
Conveyor Belts, Rubber Sheet , Gear Boxes and other Special Belts.

Leadership Through Quality

Jain Transmission (I) Pvt. Ltd.

109/D, Sector-B, Sanwer Road Industrial Area, Indore - 452015 (M.P.)

Phone : 91-731-2721601, 2721543 | Fax : 91-731-4022303

e-mail : info@jtil.in

Corporate Office :

402, Shekhar Central 4-5, Manorama Gunj
New Palasia Square, INDORE - 452001 (M.P.)

Registered Office :

109/D, Sector-B, Sanwer Road
Industrial Area, INDORE-452015 (M.P.)

Delhi Branch :

WZ-42, Manohar Park, Near Ashoka Park
Main Metro Station, East Punjabi Bah, New Delhi - 110026

Chennai Branch :

306/180, Thambu Chetty Street, George Town
Chennai, Tamilnadu - 600001

UAE Office:

G-13/20, Near China Mall
Ajurf, Ajman Free Zone, Ajman, UAE